

- Low-loss RF SAW filter for mobile systems
- Low amplitude ripple
- No matching network required for operation at 50Ω
- Ceramic package for Surface Mounted Technology (SMT)
- Lead-free production and RoHS compliant

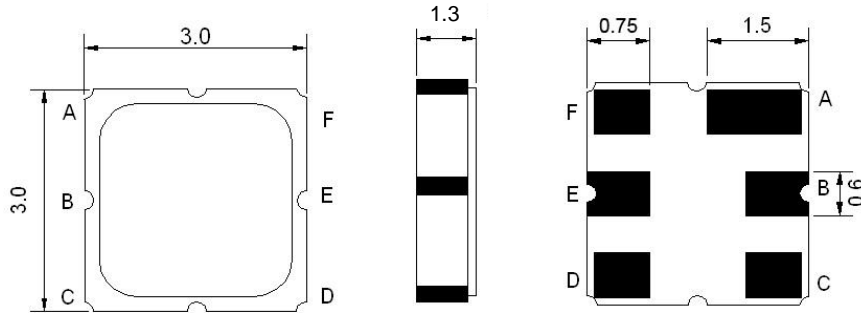


Electrical Characteristics

MAXIMUM RATING				
PARAMETERS DESCRIPTION	UNIT	MINIMUM	TYPICAL	MAXIMUM
Operating Temperature Range	°C	-20	-	+60
Storage Temperature Range	°C	-40	-	+85
Maximum DC Voltage	V _{DC}	-	-	0
Maximum Input Power Level	dBm	-	-	20
Source Impedance	Ω	-	50	-
Load Impedance	Ω	-	50	-
Length x Width	mm ²	-	3.0 x 3.0	-
Height	mm	-	-	1.3

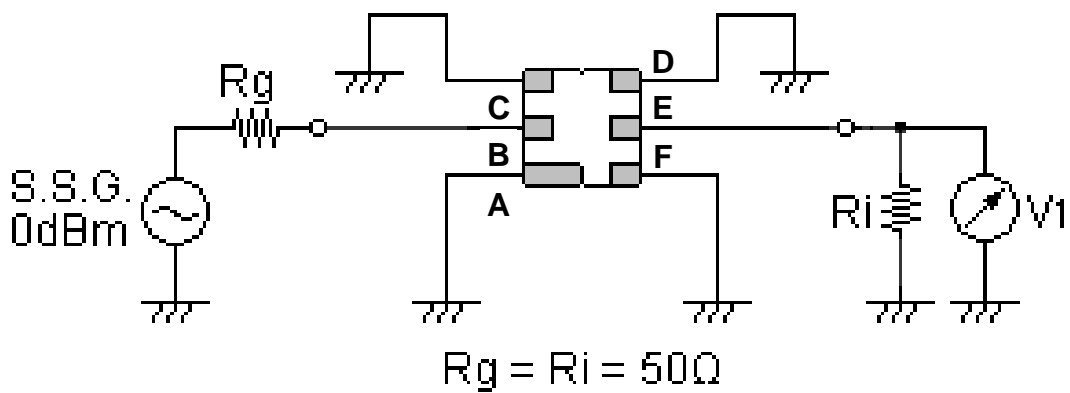
ELECTRICAL SPECIFICATION				
PARAMETERS DESCRIPTION	UNIT	MINIMUM	TYPICAL	MAXIMUM
Center Frequency (Fo)	MHz	-	707	-
Insertion Loss @ 698.00 ~ 716.00MHz	dB		2.2	3.0
Amplitude Ripple (p-p) @ 698.00 ~ 716.00MHz	dB		0.7	1.5
Group Delay Ripple @ 698.00 ~ 716.00MHz	nS		35	70
Absolute Attenuation:				
0.30 ~ 620.00 MHz	dB	30	37	
728.00 ~ 740.00 MHz	dB	38	49	
740.00 ~ 757.00 MHz	dB	35	42	
764.00 ~ 2400.00 MHz	dB	30	35	
2400.00 ~ 3000.00 MHz	dB	10	18	
Input / Output VSWR @ 698.00 ~ 716.00MHz			1.7	2.1

Package Dimensions



Pin Description	
B	Input
E	Output
A, C, D, F	Ground

Testing Environment



Frequency Characteristics

